



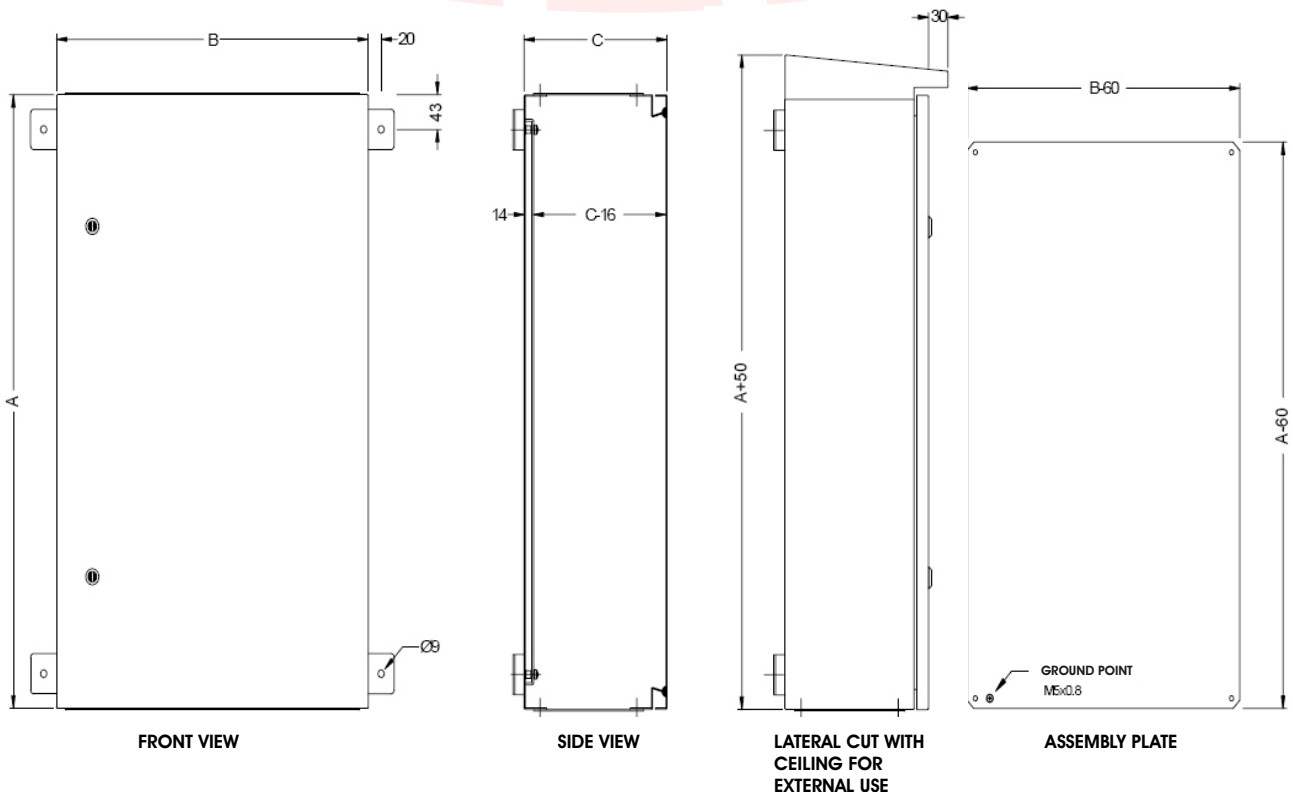
• MP - 01 - (Metal Box)



Standard metal boxes highly suited for electric and electronic assemblies in all sectors. The diversity of models always conforms to the demand of each job.

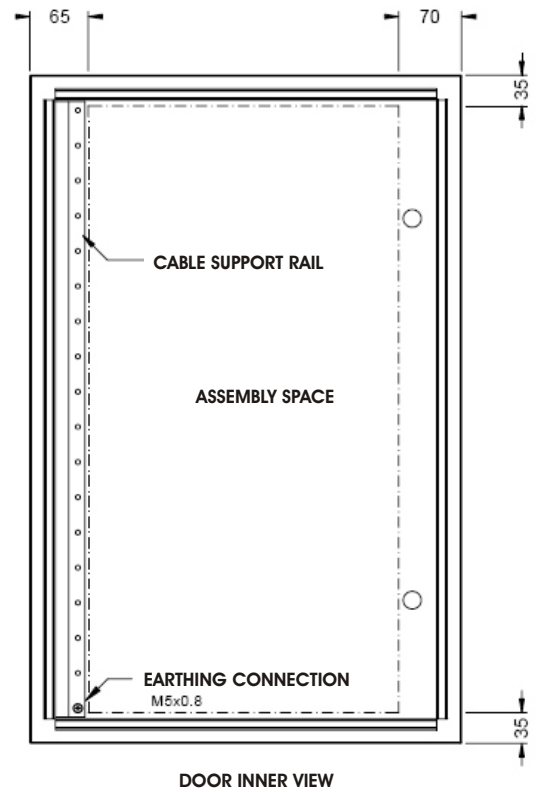
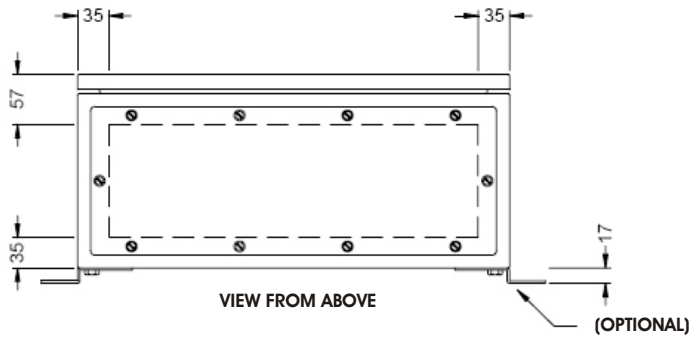
CONSTRUCTION

- Degree of Protection: IP 54.
- For indoors.
- For outdoors.
- Swing Door with latch, hidden hinges of rolled steel and plated.
- Optional Internal Door.
- Assembly plate in two options: galvanized steel or painted, 2,0mm gage (14 MSG).
- Body made of 1,2mm gage (18 MSG) steel plate ** 1,5mm (16 MSG).
- Door opens 105°.
- Plate treatment by degreasing, deoxidization and phosphate bathes.
- Electrostatic polyester 70(m powder paint).





• MP - 01 - (Metal Box)



*** (OPTIONAL) support, to fix the box vertically. It allows air circulation in between the backside of the box and the vertical surface.

Code	A	B	C	Qt. of Locks
193214	190	320	140	01
321914	320	190	140	01
383217	380	320	170	01
384817	380	480	170	01
483817	480	380	170	01
483822	480	380	220	01
486017	480	600	170	01
604817	600	480	170	01

Code	A	B	C	Qt. of Locks
604822	600	480	220	01
764817	760	480	170	02
764822	760	480	220	02
766022	760	600	220	02
956022	950	600	220	02
*1206022	1200	600	220	02
*1207622	1200	760	220	02
*1207635	1200	760	350	02