



- MP - 05 - ( Command Desk )
- 



Command desk, standardized, medium size  
Suited for a variety of electric assemblies

## CHARACTERISTICS

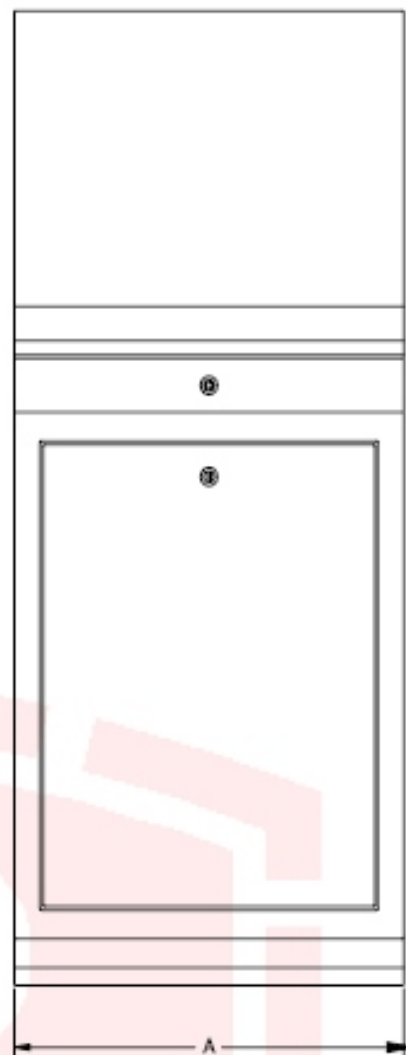
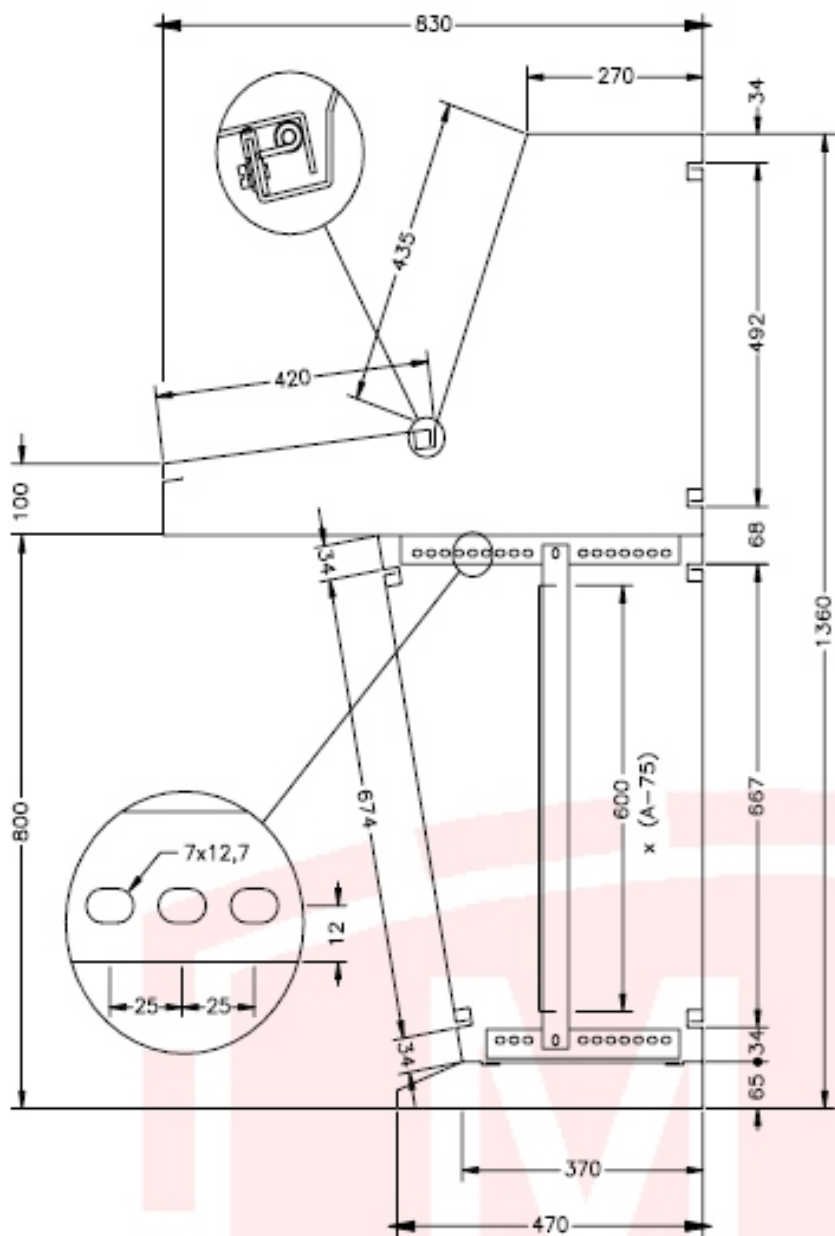
- Easy assembly of the components.
- Front and back access.

## CONSTRUCTION

- Protection degree IP 54.
- Indoor application.
- Back door with quarter turn latch and die chrome plated mild steel hinges.
- Removable front cover with quarter turn latch.
- Assembly plate of galvanized mild steel, 2.28mm (13 MSG).
- Standard structure made of mild steel, 1.9mm (14MSG).
- Articulated desk top, of mild steel, 1.9mm (14MSG).
- Base frame of mild steel plates, 2.5mm (12 MSG).
- Plate treatment by degreasing, deoxidization and phosphate bathes.
- Electrostatic polyester 70µm powder paint.

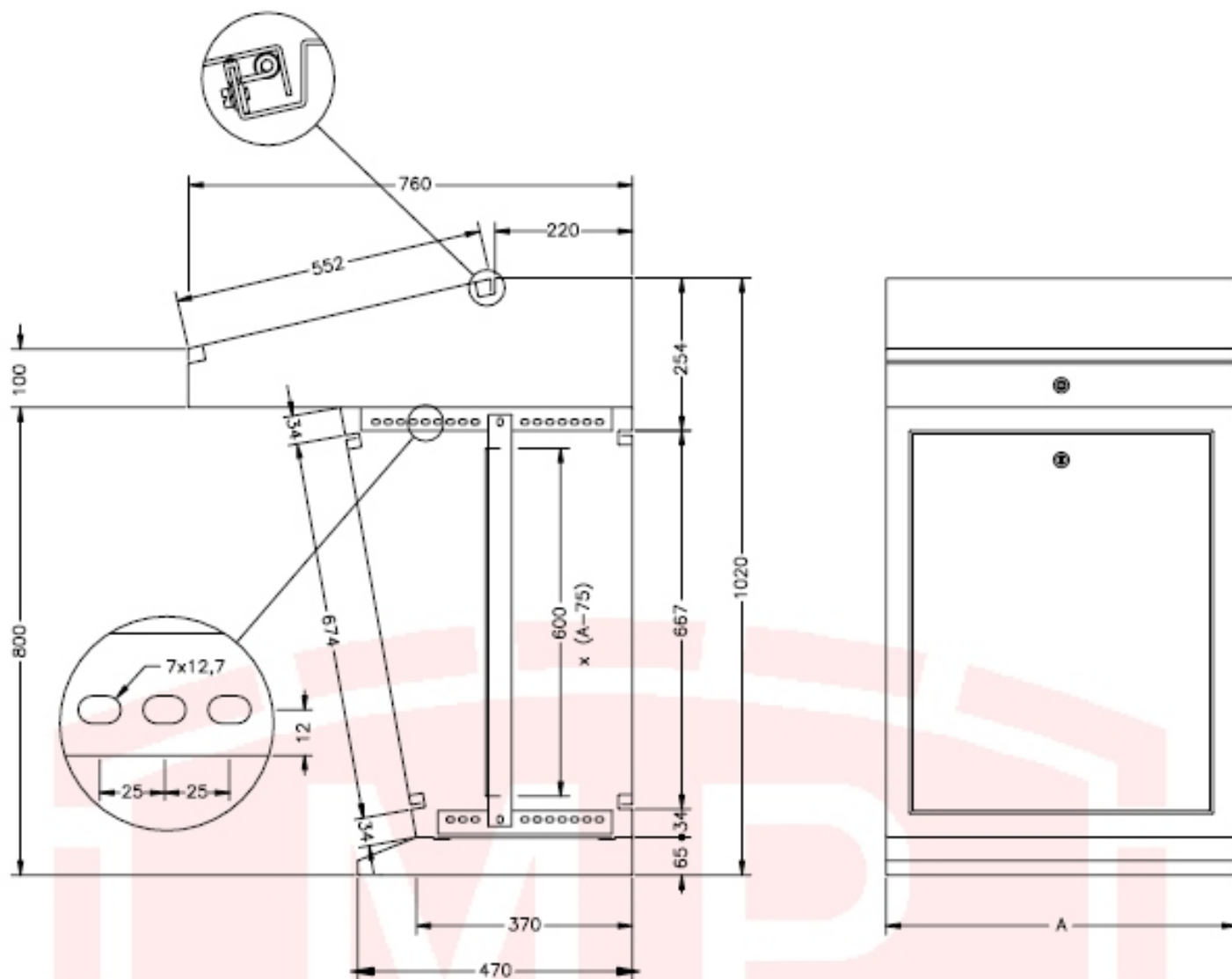


**MACRO PAINEL**  
INDÚSTRIA E COMÉRCIO LTDA



Code	A
60 A	600
80 A	800
120 A	1200
160 A	1600

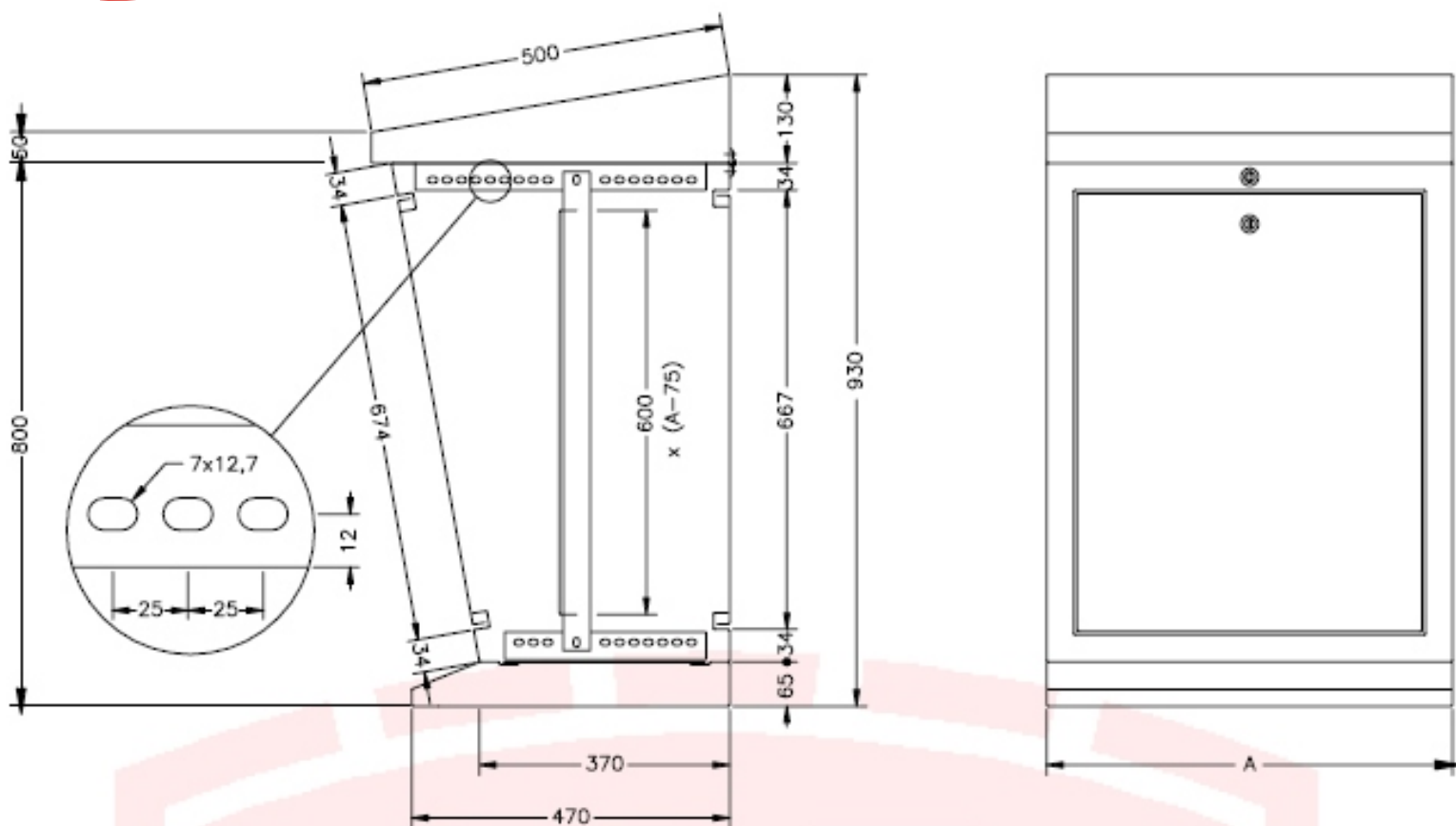




Code	A
60 C	600
80 C	800
120 C	1200
160 C	1600



**MACRO PAINEL**  
INDÚSTRIA E COMÉRCIO LTDA



Code	A
60 D	600
80 D	800
120 D	1200
160 D	1600